



GEOHERMAL MANIFOLDS



GEOHERMAL ACCESSORIES

HONDA

MANHOLES



A modern geothermal manhole is an innovative solution for connecting geothermal manifolds in the surface outside of the buildings. Innovativeness of the solution lies in leading the pipes through the manhole body, in which a 100% watertight connection is formed thanks to the specially designed connection by using a heat-shrinkable sleeve or electric welded coupling. Given to its lightweight and complete set, the installation of Onda Therm manhole is very easy. Manhole can be ordered according customer specifications.

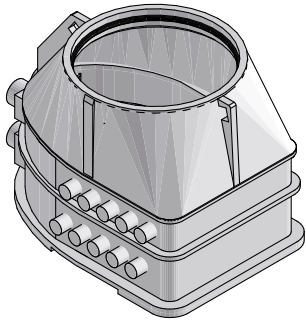


Advantages using Onda Therm manhole:

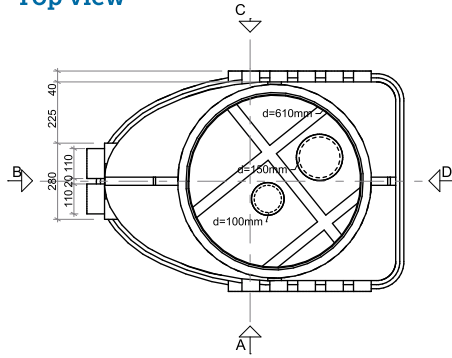
- Lightweight of the manhole (H1 type 30 kg./H2 type, 50 kg.)
- Waterproofed welded connections through the manhole wall, pressure water tight
- Flexibility of the numbers of the connections (5+5/10+10)
- Possibility to install two manifolds in the same manhole
- Easy accessible through carriageable cover (up to 1500 kg.)
- Horizontal probe connections
- Possibility to install a telescopic pipe down tot the cover

DESCRIPTION	TYPE H1	TYPE H2
Material	HD-PE	HD-PE
Length	1130 mm.	1805 mm.
Width	810 mm.	1055 mm.
Height	830 mm.	975 mm.
Weight	30 kg. (excluding accessories/manifold)	50 kg. (excluding accessories/manifold)
PE cover (load bearing capacity)	200/600/1500 kg.	200/600/1500 kg.
Corrugated metal sheet cover (load bearing capacity)	12,5 t.	12,5 t.
Connections probes	OD 32/40 mm	OD 32/40 mm
Connections heat pump	OD 63 mm	OD 63 mm.
Max connections with one manifold in	5	10
Accessories (optionals)	Telescopic pipe, manifold, flow meter...	Telescopic pipe, manifold, flow meter...

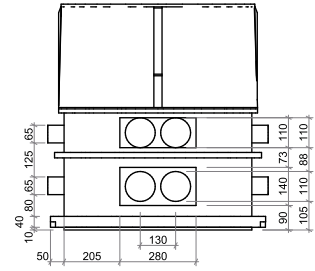
MANHOLE H1 (up to 5 (+ 5) probes)



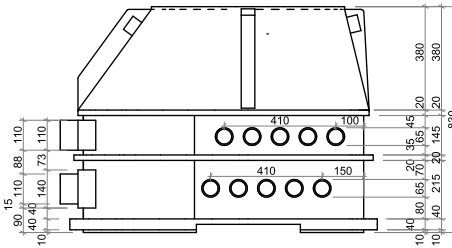
Top view



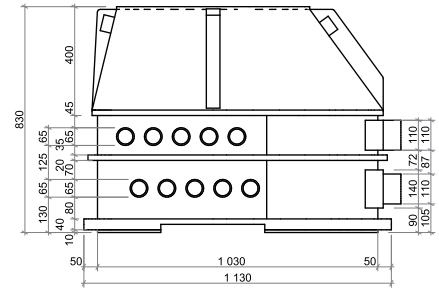
Back view



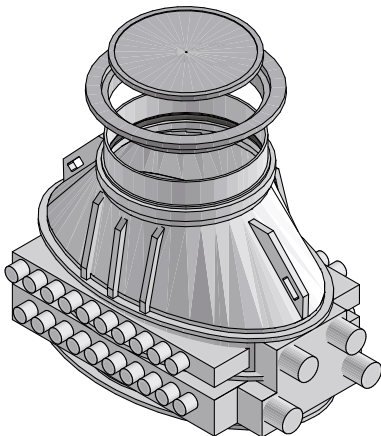
Side A



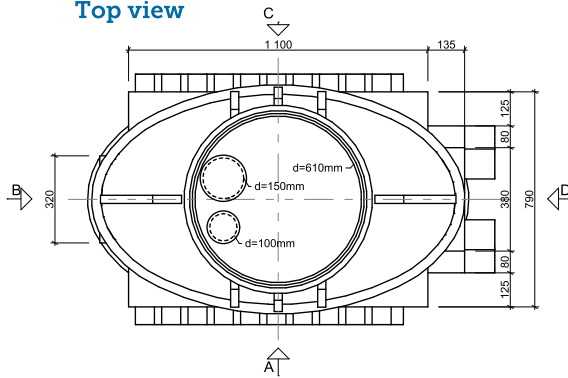
Side B



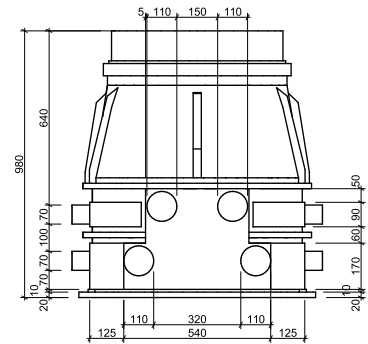
MANHOLE H2 (up to 10 (+ 10) probes)



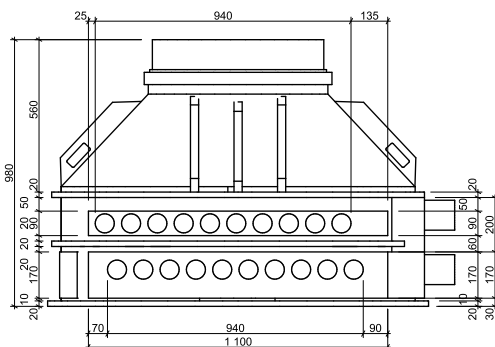
Top view



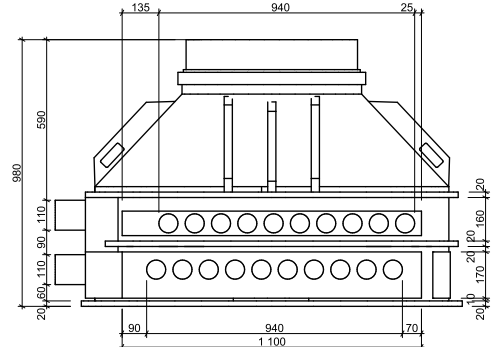
Back view



Side A



Side B





**COMPANY WITH
QUALITY SYSTEM
CERTIFIED BY DNV GL
= ISO 9001 =**

Administrative Department

Via Verdi, 38/B
24060 Telgate (BG) - Italy
Tel. +39 035 0591003
info@ondathermsrl.com

Headquarter

Via Monte Fenera, 11
13018 Valduggia (VC) - Italy
Tel. +39 0163 487 731
Fax +39 0163 487 700

Follow us



www.ondathermsrl.com