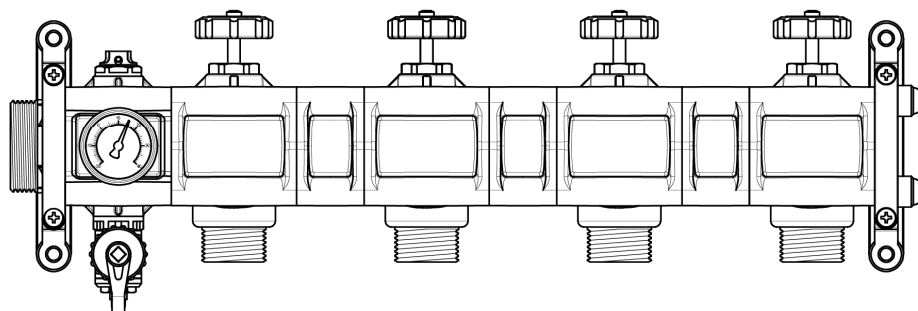
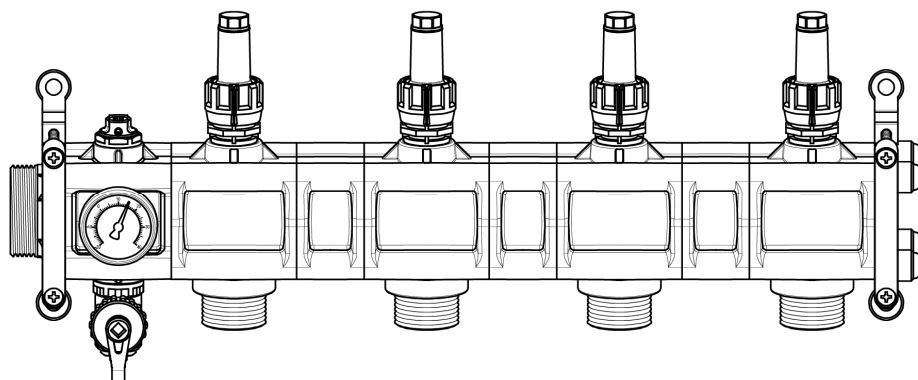


CONFORMITY CERTIFICATION



ONDA THERM SRL certifies that the manifold of the **KOMBIGEO 65/100** series was established by the testing standards related to field of membership with absolute adherence to the required parameters, according to the procedures expected by the company quality system UNI EN ISO 9001

Features: PN6 – 80°C

It therefore makes certification that the product is in full compliance with standards of environmental protection.

24 months warranty

Valduggia, 05/07/2018

Test operator



ONDA THERM S.R.L.
Sede Leg.: Via Verdi, 38/b - 24060 TELGATE (BG)
Sede Operativa: Via Monte/Fenera, 11
3018 VALDUGGIA (VC)
Tel. 0163.487731 - Fax 0163.487700
P. IVA 03839110164